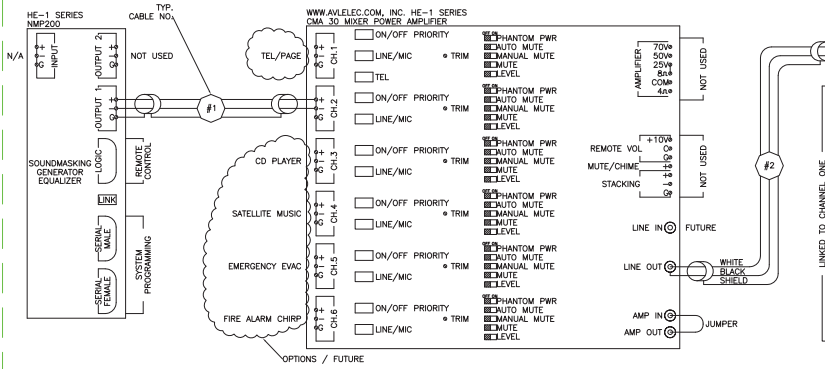
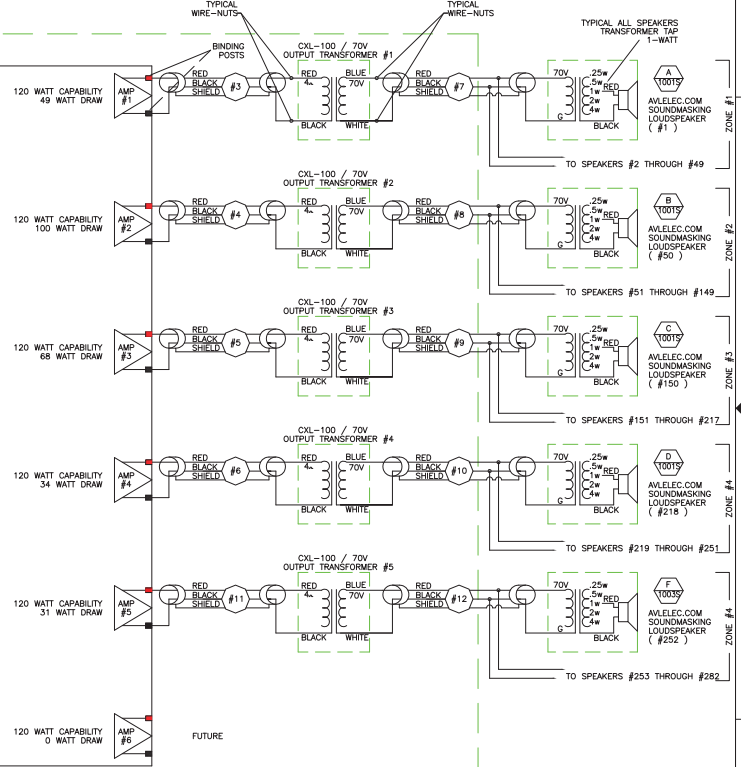
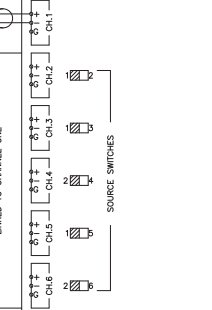


REVISIONS				
ZONE	REV	DESCRIPTION	DATE	APPROVED
VA	A	ISSUED FOR APPROVAL	04-27-06	-----
VA	A	ISSUED FOR CONSTRUCTION	-----	-----
VA	A	AS-BUILT	-----	-----

WWW.AVLELEC.COM, INC. L250-12
EQUIPMENT RACK CABINET (NO S/N)



WWW.AVLELEC.COM, INC. HE-1 SERIES
CX-A6 - MULTI-CHANNEL POWER AMPLIFIER



avlelec **SOUNDMASKING**
 www.avlelec.com **NORTHROP GRUMMAN**
 8641 South Warnawick Rd.
 Centennial, Colorado 800433
 PATRICK MCALLISTER
 Tel: 303-670-1099 ext 11

SAN DIEGO, CA

DATE: 04/27/06 DRAWN BY: D
D 1002S - SCHEMATIC REV: A

SCALE: NONE SHEET: 2 OF 3