

Volume Control Attenuator (with wall-plate)

Description

Lowell's LVC volume controls are ETL Listed, compact, easy-to-install controls that provide precise level adjustment of single or multiple speaker lines. They're available in 25W, 50W or 100W models with a standard or Decora-style wall plate. All models mount within a single gang E.O. box with a minimum depth requirement of 2.125". They include easy-to-connect, phoenix-style plug-in screw termination strips for pre-wire convenience with wire capacity up to 14-gauge. Attenuation is 1.5dB or 3dB per step (see chart below).

- **Standard:** one-piece plate in brushed stainless steel or plastic (black or white).
- **Decora-style:** two-piece plastic plate or stainless steel plate with plastic sub-plate (black or white).
- **Emergency Bypass Option:** models in the 100LVC-PA series are equipped with a 24VDC@15mA relay for applications that require emergency and paging signals to bypass/override the attenuator.

Features

- 100W, 50W, or 25W power rating
- Standard or Decora-style wall plate
- Compact single gang size blends with other wall devices
- 2.125" depth fits standard E.O. boxes
- Attenuation is 1.5dB or 3dB per step (see chart below).

A & E Specifications

Volume control shall be Lowell Model ____ with a power rating of ____ (25W, 50W, 100W) and attenuation per step of ____ (3dB, 1.5dB). Plate style shall be (standard one-piece stainless steel, one-piece plastic, Decora-style two-piece plastic, Decora-style two-piece stainless steel with plastic sub-plate). Plate color shall be ____ (brushed stainless, white, black, stainless/white, stainless/black). Controls shall be ETL Listed and shall mount in an E.O. box with a minimum inside dimension of 1.875"W x 2.688"H x 2.125"D. Priority Relay Option: Model shall include a 24VDC@15mA relay.



Volume controls with standard (one-piece) wall plates



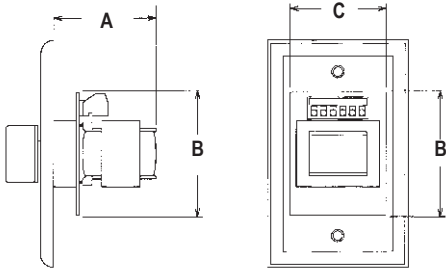
Volume controls with Decora-style (two-piece) wall plates



Model No.	Power Rating	Type	Switch Type	Switch Positions	Attenuation Step / Total	Style	Finish
25LVC	25W	Auto-trans	Rotary	10-off	3dB / 33dB***	Standard	Stainless Steel
25LVC-SW	25W	Auto-trans	Rotary	10-off	3dB / 33dB***	Standard	White
25LVC-DW	25W	Auto-trans	Rotary	10-off	3dB / 33dB***	Decora	White Plate / White Sub-plate
25LVC-DB	25W	Auto-trans	Rotary	10-off	3dB / 33dB***	Decora	Black Plate / Black Sub-plate
25LVC-DSW	25W	Auto-trans	Rotary	10-off	3dB / 33dB***	Decora	Stainless Steel Plate / White Sub-plate
25LVC-DSB	25W	Auto-trans	Rotary	10-off	3dB / 33dB***	Decora	Stainless Steel Plate / Black Sub-plate
50LVC	50W	Auto-trans	Rotary	10-off	3dB / 33dB***	Standard	Stainless Steel
50LVC-SW	50W	Auto-trans	Rotary	10-off	3dB / 33dB***	Standard	White
50LVC-DW	50W	Auto-trans	Rotary	10-off	3dB / 33dB***	Decora	White Plate / White Sub-plate
50LVC-DB	50W	Auto-trans	Rotary	10-off	3dB / 33dB***	Decora	Black Plate / Black Sub-plate
50LVC-DSW	50W	Auto-trans	Rotary	10-off	3dB / 33dB***	Decora	Stainless Steel Plate / White Sub-plate
50LVC-DSB	50W	Auto-trans	Rotary	10-off	3dB / 33dB***	Decora	Stainless Steel Plate / Black Sub-plate
100LVC	100W	Auto-trans	Rotary	10-off	3dB / 33dB***	Standard	Stainless Steel
100LVC-SW	100W	Auto-trans	Rotary	10-off	3dB / 33dB***	Standard	White
100LVC-DW	100W	Auto-trans	Rotary	10-off	3dB / 33dB***	Decora	White Plate / White Sub-plate
100LVC-DB	100W	Auto-trans	Rotary	10-off	3dB / 33dB***	Decora	Black Plate / Black Sub-plate
100LVC-DSW	100W	Auto-trans	Rotary	10-off	3dB / 33dB***	Decora	Stainless Steel Plate / White Sub-plate
100LVC-DSB	100W	Auto-trans	Rotary	10-off	3dB / 33dB***	Decora	Stainless Steel Plate / Black Sub-plate
10015LVC	100W	Auto-trans	Rotary	10-off	1.5dB / 13.5dB	Standard	Stainless Steel
10015LVC-SW	100W	Auto-trans	Rotary	10-off	1.5dB / 13.5dB	Standard	White
10015LVC-DW	100W	Auto-trans	Rotary	10-off	1.5dB / 13.5dB	Decora	White Plate / White Sub-plate
10015LVC-DB	100W	Auto-trans	Rotary	10-off	1.5dB / 13.5dB	Decora	Black Plate / Black Sub-plate
10015LVC-DSW	100W	Auto-trans	Rotary	10-off	1.5dB / 13.5dB	Decora	Stainless Steel Plate / White Sub-plate
10015LVC-DSB	100W	Auto-trans	Rotary	10-off	1.5dB / 13.5dB	Decora	Stainless Steel Plate / Black Sub-plate
100LVC-PA**	100W	Priority-trans	Rotary	10-off	3dB / 33dB***	Standard	Stainless Steel
100LVC-PA-SW**	100W	Priority-trans	Rotary	10-off	3dB / 33dB***	Standard	White
100LVC-PA-DW**	100W	Priority-trans	Rotary	10-off	3dB / 33dB***	Decora	White Plate / White Sub-plate
100LVC-PA-DB**	100W	Priority-trans	Rotary	10-off	3dB / 33dB***	Decora	Black Plate / Black Sub-plate
100LVC-PA-DSW**	100W	Priority-trans	Rotary	10-off	3dB / 33dB***	Decora	Stainless Steel Plate / White Sub-plate
100LVC-PA-DSB**	100W	Priority-trans	Rotary	10-off	3dB / 33dB***	Decora	Stainless Steel Plate / Black Sub-plate

** Model series 100LVC-PA includes a priority relay (24VDC@15mA). See wiring diagram and schematic.

*** Models have two steps of 6dB each before off.



All models (25W, 50W, 100W) are compact enough to mount in E.O. boxes with a minimum depth of 2.125".



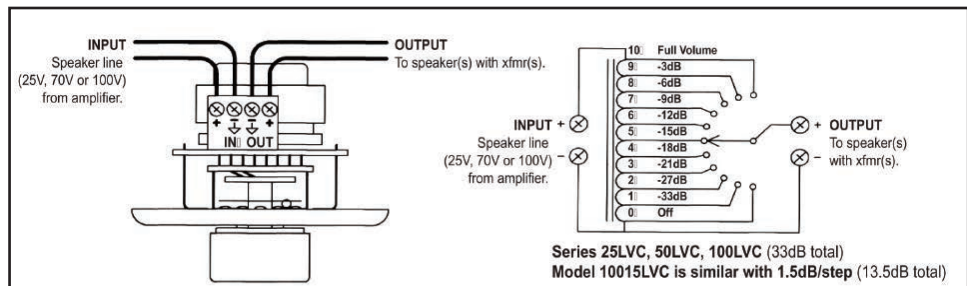
Optional surface box Model P1X is 2.5"D

Model Series	Plate Width	Plate Height	A	B	C
25LVC	2.75"	4.5"	1.75"	2.5"	1.875"
50LVC	2.75"	4.5"	1.812"	2.5"	1.875"
100LVC	2.75"	4.5"	2.125"	2.5"	1.875"
100LVC-PA	2.75"	4.5"	2.125"	2.5"	1.875"
10015LVC	2.75"	4.5"	2.125"	2.5"	1.875"

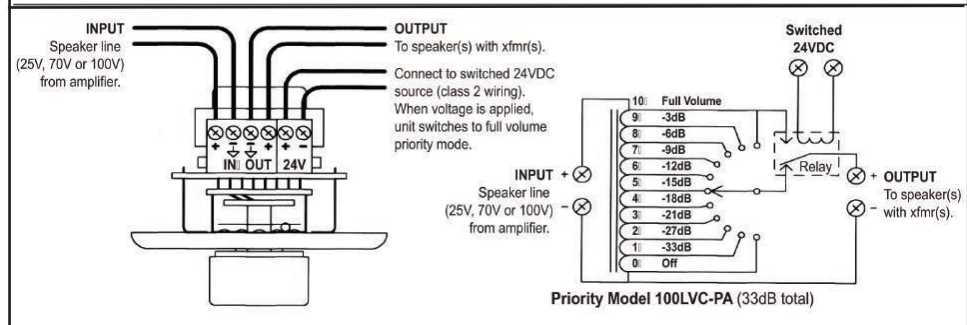
All models mount all E.O. Boxes noted (boxes by others) (minimum opening size 1.875"W x 2.685"H x 2.125"D)
 4"Sq x 2.125"D with raised mud ring (RACO 232, 235 or equiv.) **or**
 1-gang handy box 2.125"D (RACO 670, 671, 678 or equiv.)** **or**
 2-gang switch box 2.125"D (RACO 680, 681, 683, 685 or equiv.)*** **or**
 Multi-gang switch box 2.5"D (RACO 686, 687 or equiv.)*** **or**
 Lowell P1X surface box

** Note: 100W units are deeper than other LVC models so a 1-gang handy box will allow only minimal room for control and wiring.
 *** 2-gang and multi-gang switch boxes noted are for use with Decora-style units in multi-device installations (multi-gang trim plate by others).

Wiring and Schematic for LVC Series
 (except models with priority paging feature)



Wiring and Schematic for LVC-PA Series
 (only models with 24VDC@15mA priority paging feature)



Accessory Rackmount Panel (order separately)

Lowell pre-punched, rackmount panels provide easy installation of multiple LVC-series controls. Panels listed below include rear lacing flange for wire management and a clear window, which can hold a 1/2" identification label (download template from www.lowellmfg.com).

- **D8P-ID-3:** (3U) 8-position panel with generous spacing
- **D9P-ID-3:** (3U) 9-position panel with narrow spacing for mounting Decora-style 1-gang volume controls or other low-voltage devices. Will also accept 2-gang devices.

