

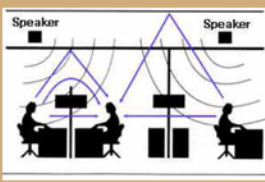
AVLELEC
www.SoundmaskingInstallation.com

8641 S. Warhawk Rd. Conifer, CO 80433
(303) 670-1099 (303) 679-8949 fax
Patrick.McAllister@AVLELEC.com

CT8

Wide-Dispersion Speaker for 8" Installations





AVLELEC

www.SoundmaskingInstallation.com

The AVLELEC CT8 is a unique, extended bandwidth, wide-dispersion planar loudspeaker designed for use in commercial installations. Patented Planar Diaphragm Technology™ allows a CT8 that has been properly installed in a ceiling or wall boundary to radiate sound in a 140° hemispherical pattern with smooth, even coverage. This dispersion characteristic allows CT8 speakers to be spaced farther apart than narrow-dispersion conventional speakers, reducing the total quantity of loudspeakers required in almost any installation. The CT8 is generally mounted into wood or metal stud walls and ceilings or suspended ceiling tile systems, and will retrofit into almost all existing standard 8" diameter speaker openings. Mounting is standard screw-type, and optional tile bridge and backcan mounting accessories are available. An optional enclosure compensation module is also available, to restore bass performance when the CT8 is installed in a backcan. The flat Expanded PolyStyrene [EPS] loudspeaker surface may be finished with water soluble materials such as latex paints to match almost any decor or color requirement using conventional brush-on, roller or airless spray application systems. The CT8 is transformer-coupled, with the following taps: 0.5W, 1W, 2W, 4W, 8W, 16W, and 8-ohm bypass.

Recommended Installations:

- Suspended ceilings
- Wood or metal stud walls and ceilings
- Soffits and fascia
- Retrofit into almost all standard 8" speaker openings

Recommended Environment:

- Indoor or weather-protected outdoor

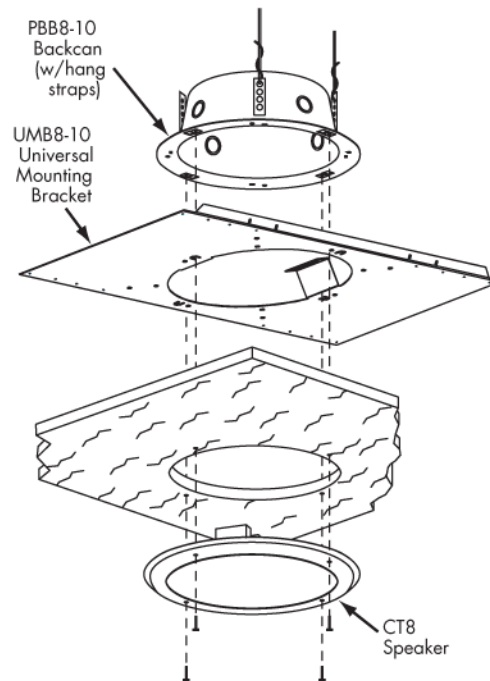
Optional Accessories:

- PBB8-10:** Backcan for ducted air return ceilings
12-1/4" x 4-1/4" (311mm x 106mm), Dia x D;
10-1/4" (260mm) Cutout Dia
1.7 lb (0.7kg)
- UMB8-10:** Universal mounting bracket for solid or suspended ceilings
2.7 lb (1.23kg)
- ECS8-10:** Line-level enclosure compensation module for installations using the PBB8-10 backcan

Performance Specifications:

- Radiating Surface:** 85.5 in² (532.3cm²) Planar Diaphragm (fits standard 8" diameter speaker openings)
- Driver System:** 0.82 lb (0.37kg) Magnet with 1.02" (26mm) voice coil
- Frequency Response:** 80Hz – 15kHz ±4dB
- Power Rating:** 20 Watts RMS as per EIA standard RS-426-A
- Pressure Sensitivity:** 94dB, 1W/1m
- Maximum Output:** 106dB @ 1 meter
- System Impedance:** 8 ohms nominal; 5.5 ohms minimum
- Transformer Primary Voltage:** 70.7 Volts
- Transformer Primary Taps:** 0.5, 1, 2, 4, 8, 16 Watts; 8 ohm bypass
- Dimensions (Dia x D):** 13" x 2-3/8" (330mm x 60mm)
- Product Weight:** 4.2 lbs. (1.9kg) each
- Shipping Weight:** 12.0 lbs. (5.5kg) pair

Installation Example:



Warranty:

AVLELEC warrants the CT8 to be free of any defect in materials or workmanship for a period of 5 years from the date of purchase. During the warranty period, AVLELEC will repair or replace (at its option) all such defects without charge for parts or labor, if returned prepaid to the proper AVLELEC service facility, together with the original sales receipt or other proof of purchase. The unit will be returned prepaid.

AVLELEC
www.SoundmaskingInstallation.com

8641 S. Warhawk Rd. Conifer, CO 80433
(303) 670-1099 (303) 679-8949 fax
Patrick.McAllister@AVLELEC.com