

Model

TLS Series

20/20 AudioVision™ Line Matching Transformers

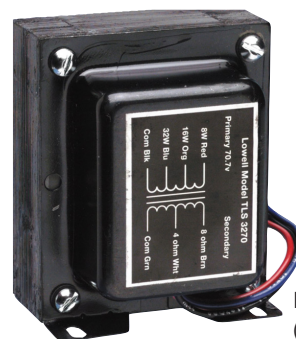
AVLELEC's premium 20/20 AudioVision™ transformers (TLS Series) provide true 20Hz-20kHz performance allowing a distributed speaker system to sound imperceptibly the same as a transformer-less direct-to-voice-coil system with the benefit of easier wiring layout, less expensive wire, and reduced labor. The transformer's full frequency response combined its high power handling allow a driver to operate at full potential while providing a stable load to the amplifier.

Features

- Primary voltage: 70V
- 32W or 100W power rating
- Secondary impedance 8, 4 ohms
- Frequency response: 20Hz-20kHz ±1dB
- Lead length: 18"
- Color-coded leads

A&E Specifications

The line matching transformer shall be AVLELEC Model _____ (TLS-3270, TLS-10070). Primary voltage shall be 70V with a power rating of ____ (32, 100) watts and primary taps available at _____ (32/16/8, 100/64/32/16) watts. Secondary impedance taps shall be available at 8 ohms and 4 ohms. All taps shall have clearly marked color-coded leads. The transformer's frequency response shall be 20Hz-20kHz ±1dB with insertion loss not to exceed 0.6dB.



Model TLS-3270
(32W)



Model TLS-10070
(100W)

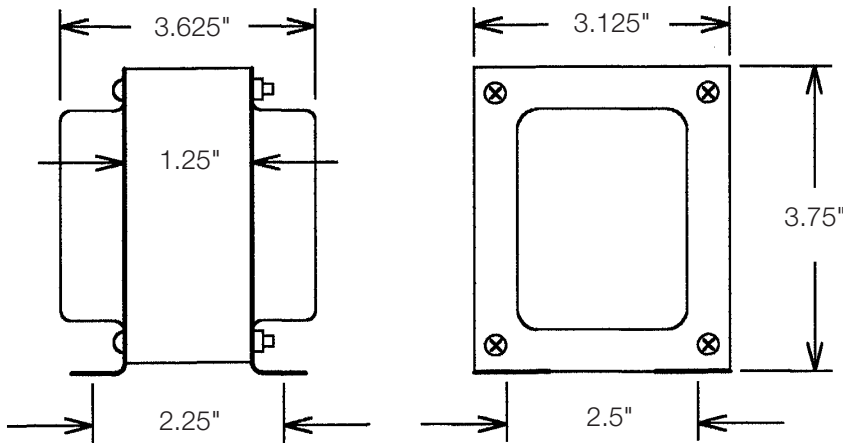
Model No. Summary

Model No.	Primary Voltage	Power Rating	Primary Taps	Secondary Impedance	Core Size (in)	Insertion Loss	Frequency Response	Lead Length (in)	Weight (lbs)
TLS-3270	70V	32W	32, 16, 8W	8, 4 ohms	1.25 X 1.25	.6dB	20Hz-20kHz ±1dB	18	4.7
TLS-10070	70V	100W	100, 64, 32, 16W	8, 4 ohms	1.375 X 1.75	.6dB	20Hz-20kHz ±1dB	18	7.5

Technical Drawings

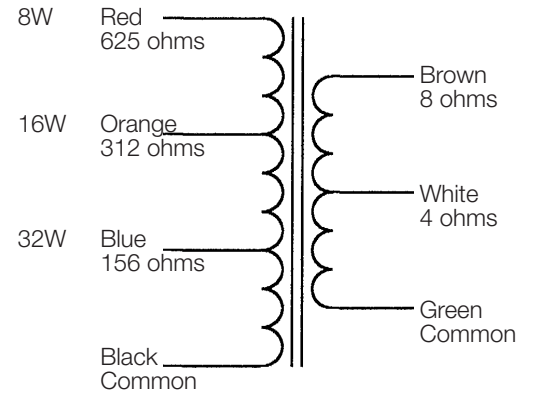
Measurements are inches unless otherwise indicated.

Model TLS-3270

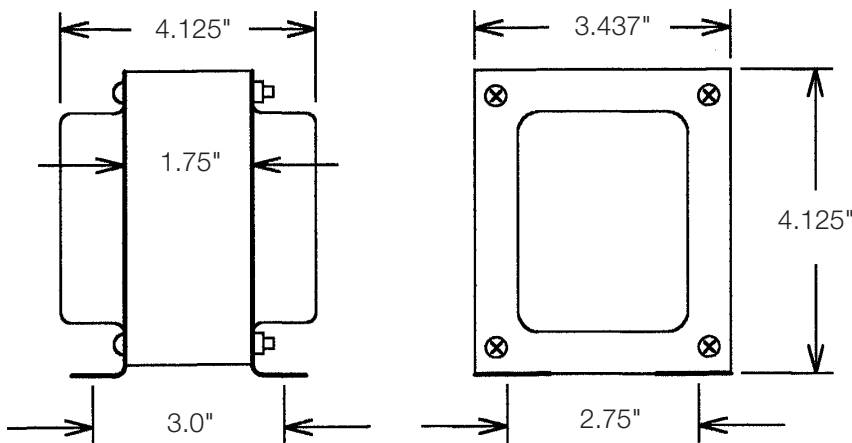


PRIMARY

SECONDARY



Model TLS-10070



PRIMARY

SECONDARY

