

Model

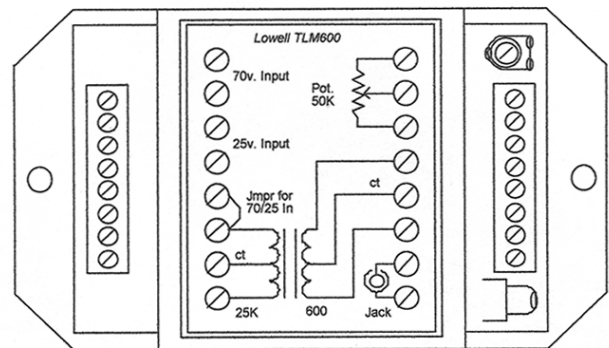
TLM-600

Impedance Matching Transformer

AVLELEC's universal input impedance matching transformer converts balanced and unbalanced low-Z telephone-type lines to Hi-Z amplifier signals, Hi-Z to low-Z and attenuates or "steps-down" 70V or 25V speaker lines to a line level signal suitable for remote amplifier input. This versatile accessory includes a phono jack and level control for field connection, if desired.

Features

- Step down 70 and 25-volt lines to feed amplifier inputs.
- Field-connectable level control and phono jack.
- Matches telephone lines to Hi-Z amplifier input.
- Feed balanced 600 ohm lines from amplifier output.
- Convenient mounting and connections
- Use with a masking generator when adding masking to an existing music/paging system.
- 5" x 3" x 1.75"
- Barrier strip terminals and mounting holes for fast connection and convenient mounting to a wall or onto a rack panel with pre-punched mounting holes for electronic accessories.



A&E Specifications

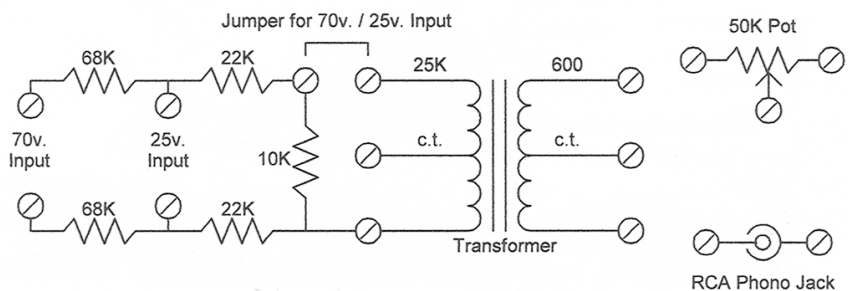
The universal input impedance matching transformer shall be AVLELEC Model TLM-600. The transformer shall be capable of converting balanced and unbalanced low-Z, telephone-type lines to Hi-Z amplifier signals, Hi-Z to low-Z and attenuate 70V or 25V speaker lines to a line level signal suitable for remote amplifier input. Connections to the transformer shall be made via a three-sided barrier strip screw terminal assembly. The steel housing shall have holes for mounting to a wall or onto a rack panel. The housing shall be finished in black powder epoxy.

Model No. Summary

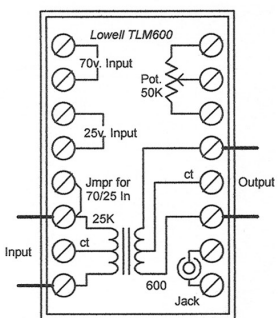
Model No.	Inputs	Outputs	Power Rating	Frequency Response	Insertion Loss	Weight (lbs)
TLM-600	70/25V, 25Kohm*	Bal. 600ohm*, 150ohm*	200mW max.	50Hz-20kHz ± 2dB	1.5dB @ 1kHz	0.75

* May be used as inputs or outputs to satisfy application requirements.

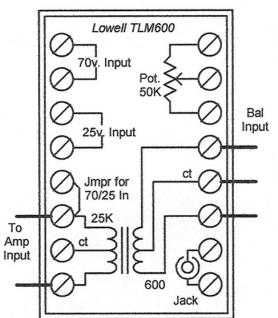
Schematic



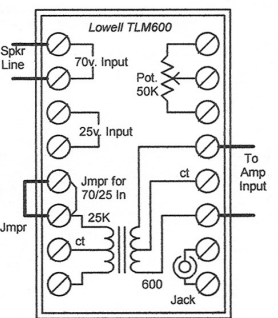
Typical Applications



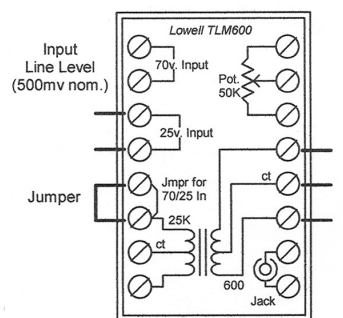
Drive Phone Line from Amp Output
 0 dBv Output requires 5 v. Input



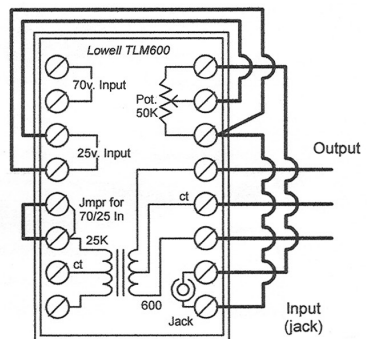
600 ohm bal. line to Hi-z Input



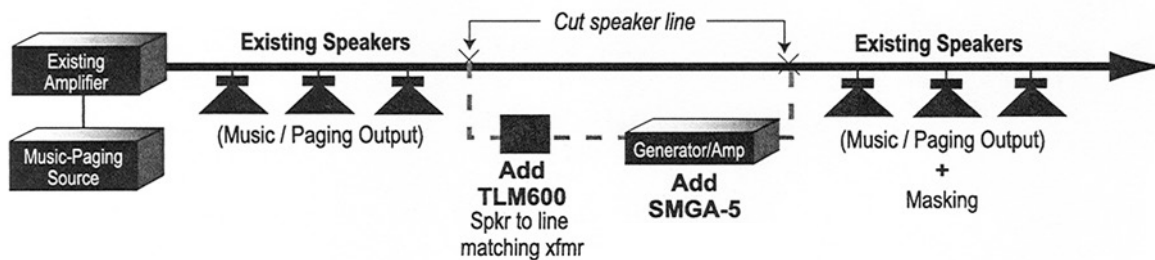
Drive Amp Input from Spkr. Line
 70 or 25 volt Input = approx. 600mv output



Line Level to Mic Level



Trim Pot and Jack Hook-up



Add masking capability to existing paging/masking system