



Model No.

LHR-2432

• 24U x 32.875"D x 24.00"W

Two-part (host style) equipment rack consists of a fully welded exterior cabinet and an interior rack that pulls out and rotates to access mounted equipment—an ideal solution for installations where racks are placed against a wall or back-to-back. EIA/TIA compliant.

Construction & Features

• Exterior Cabinet:

- Overall: 53.86"H x 24.00"W x 32.875"D
- Sides: Welded sides, top/bottom vents
- Front: Open front, beveled corners, top vents
- Rear: Open back, top/bottom knockout panels
- Top: 10U opening can be closed using two solid panels included as shipping stiffeners. Front-to-rear knockouts for up to three pairs of wireless antennas. Rear knockouts in 6" weld-braced platform for fast, consistent field connections—four compound knockouts and center oval for wire pass through. It can support a 6" termination box or 4" conduit with locking ring (Greenlee field-punched hole).
- Green ground wire (cabinet to rack)
- Three lacing panels
- Provisions for anchoring
- Side-mounted front-to-rear supports to attach optional power accessories
- Black wrinkle powder epoxy finish

• Interior Rack:

- 50.11"H (24 rack units)
- 24.00"D (26.00" useable space, allowing equipment to extend 2.00" beyond rack depth)
- Maximum rollout 25.00" (57.875" overall rollout depth)
- Post-style mounting rails numbered and tapped 10-32
- Inner platform base with casters and stainless steel ball transfers for smooth pull and turn operation. Base/rack supports up to 750 lbs. and can disengage from external cabinet for shop wiring or testing.
- Three lacing panels
- 10-32 screws with washers
- Allow 3.5" min. clearance on both sides for rotation.

A&E Specifications

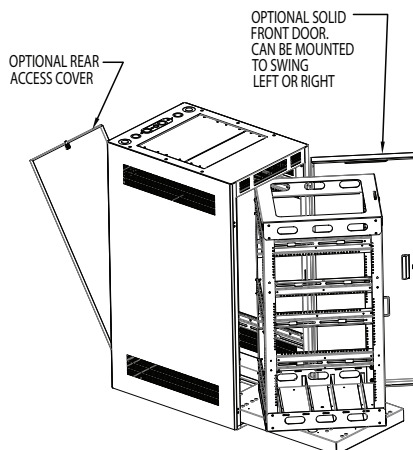
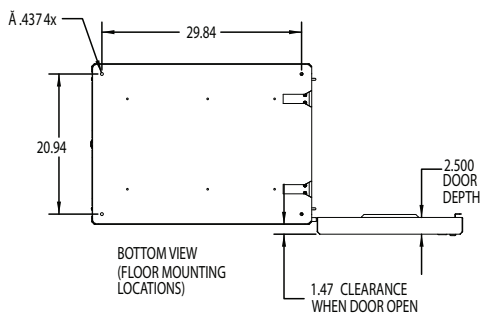
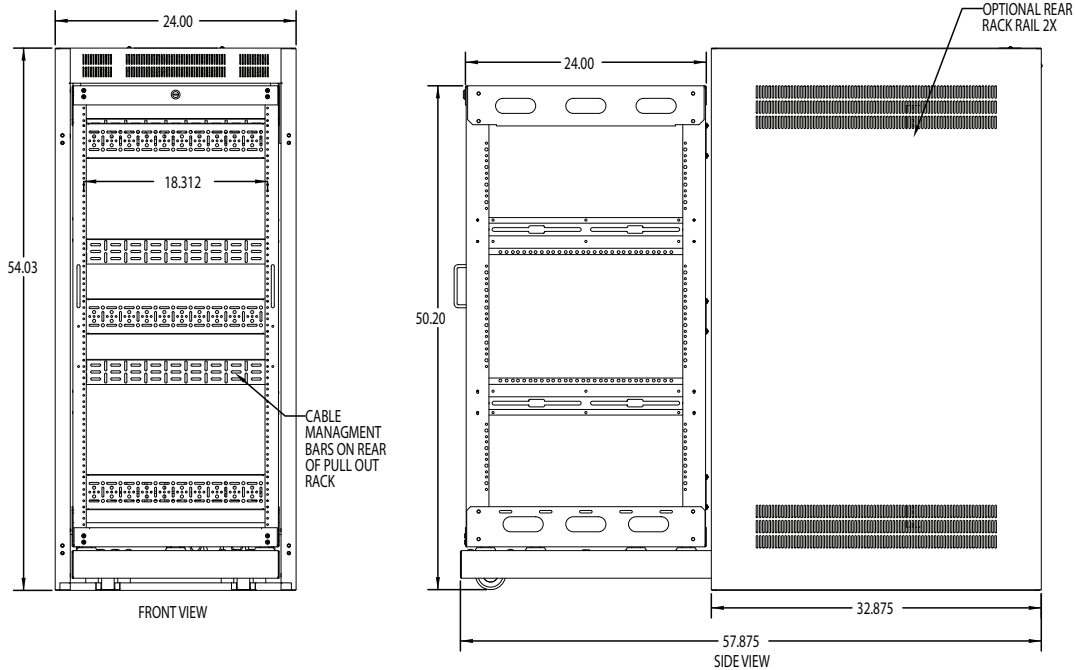
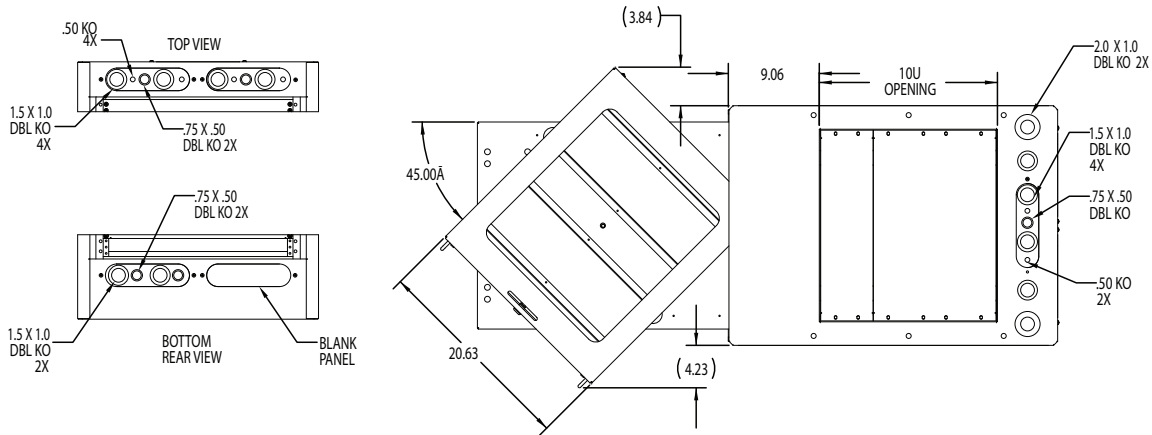
The two-part host style rack shall be AVLELEC Model No. LHR-2432 which shall be made in the U.S.A. with certified U.S. steel and



have overall measurements of 53.86"H x 24.00"W x 32.875"D with panel space of 24 rack units and useable depth of 26.00". It shall be comprised of an external welded steel cabinet and an internal pull-out rack that is connected to an inner platform caster base with stainless steel ball transfers capable of supporting 750 lbs. The external cabinet shall have vented sides, open front, open back, three rear lacing panels, 10U EIA top opening with solid closure panels, and top knockouts for conduit and wireless antennas. It shall have a black wrinkle powder epoxy finish, provisions for anchoring, and a ground wire to the internal rack. The internal rack shall be a steel assembly with corner post mounting rails tapped 10-32, three rear lacing panels, and side/rear braces. It shall be mounted to the caster base and pull-out smoothly from the cabinet to provide free rotation to rear connections. The internal rack/caster base assembly shall be capable of disengaging from the external cabinet for shop wiring and testing.

Technical Drawings

All measurements are inches.





Options

- **Front Door:** Surface-mount 2.5"D door available in solid steel or smoked plexiglass includes key lock. Mount for right or left-hand swing.
- **Rear Access Cover:** Steel panel with key lock opens from top and features vents at top and bottom.

Model No. Summary

<i>Model No.</i>	<i>Description</i>	<i>Rack Units</i>	<i>Internal Rack Height</i>	<i>Useable Depth</i>	<i>Overall Width</i>	<i>Overall Depth</i>	<i>Overall Height</i>
LHR-2432	Host rack	24U	50.11"	26.00"	24.00"	32.875"	53.86"
<i>Options (order separately)</i>							
LHR-FD24	Solid steel front door						
LHR-FD24P	Smoked plexiglass front door						
LHR-RAC24V	Rear access cover						