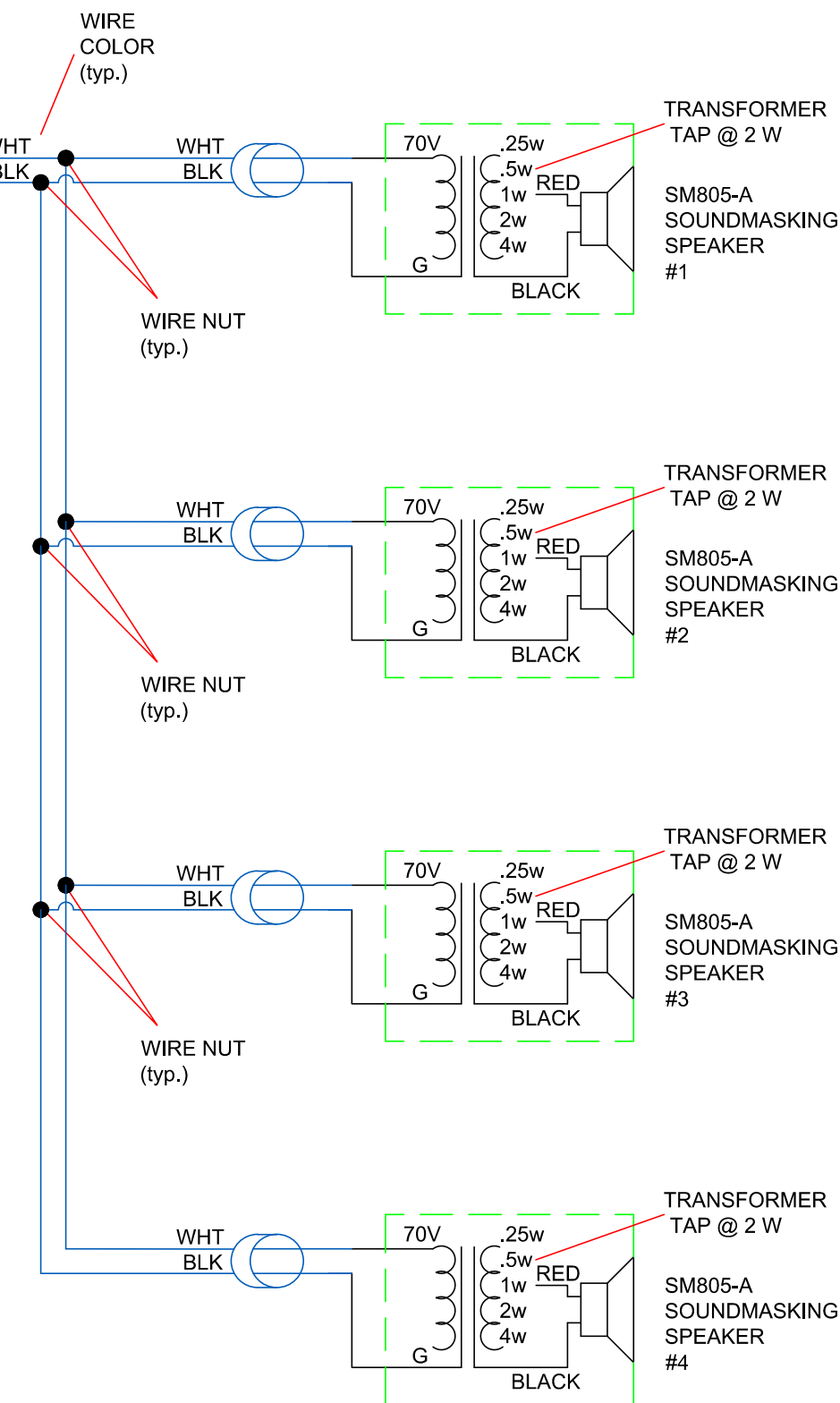
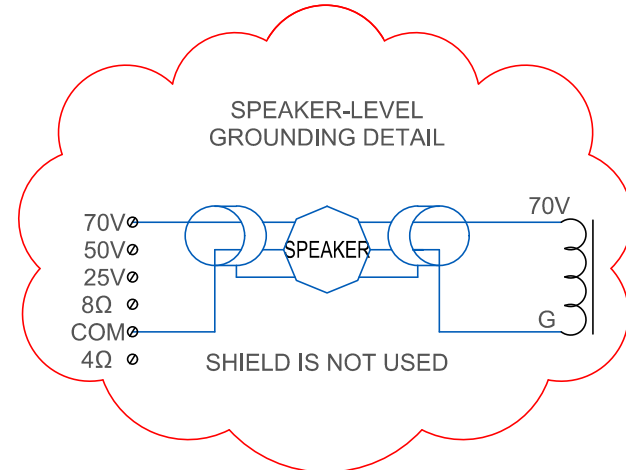
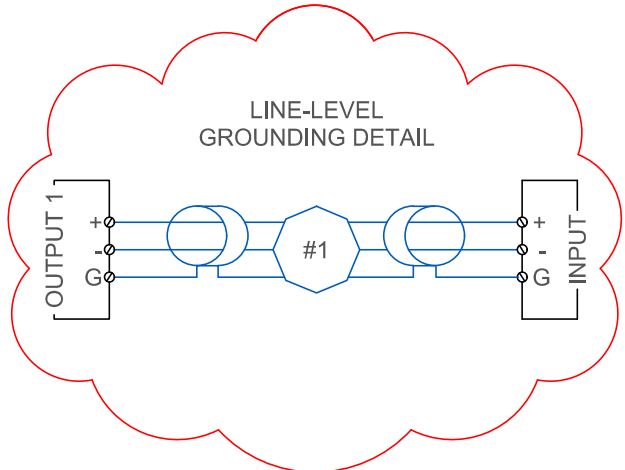
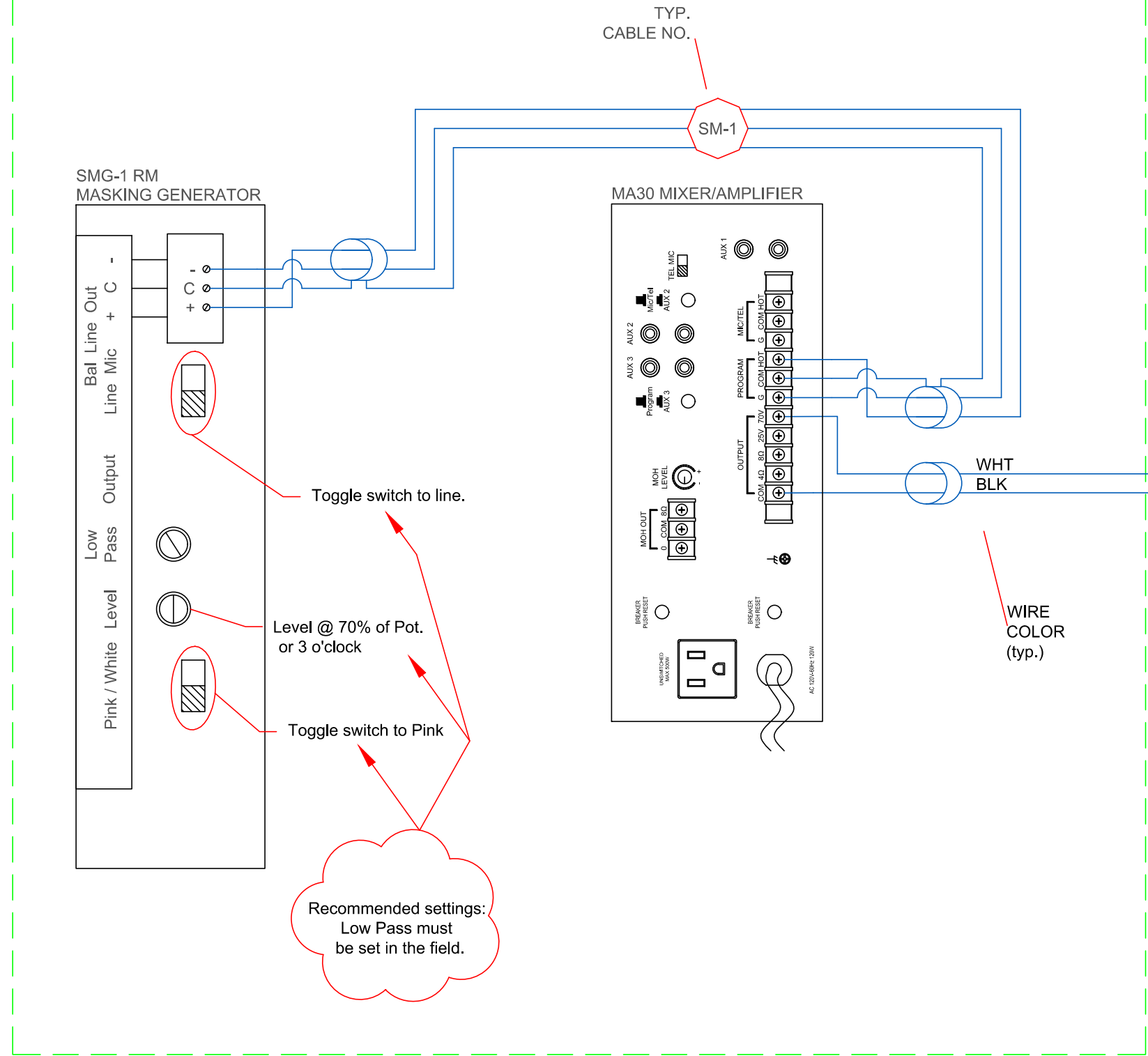


FIRST DRAWN	BY
01/24/17	CJC
REVISED	BY

www.AVLELEC.com
 8641 South Warhawk Rd. Conifer, CO 80433
 Patrick McAllister Tel: 303-670-1099

WIRING DIAGRAM	
AVL SM KIT SOUND MASKING SCHEMATIC	
DWG	012417 AVL SM KIT SM SCH
DATE	01 / 24 / 17
SCALE =	< >
SHEET - 1 OF 1	

EQUIPMENT AREA - RACK / CABINET TYP.



D

C

B

A

1

2

3

4

1

2

3

4