



CJ-46

FEATURES

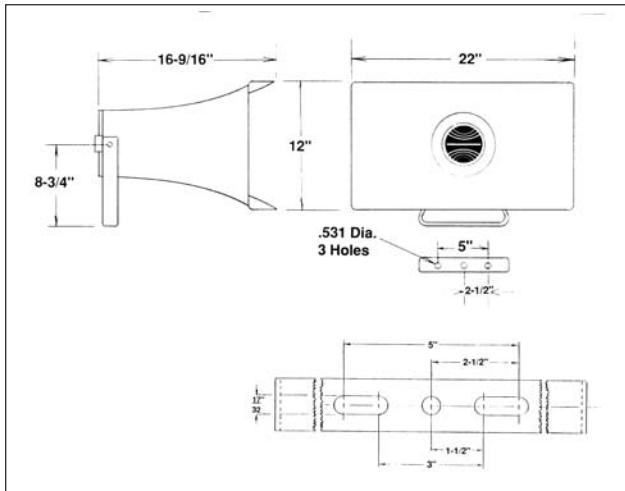
- Directional High-Efficiency Reflex Sound Projector with Wide Angle Dispersion
- Equipped with Standard 1 1/8" - 18 Male Threads for Use with Compression Driver Units
- Heavy-Duty Positive Locking Steel Mounting Bracket for Secure Positioning
- Environment-Resistant Construction for Outdoor/Indoor Applications

APPLICATIONS

Reflex projector Model CJ-46 is for directional sound and signalling distribution where wide-angle dispersion and maximum audibility are required. Combine this weatherproof unit with a 1 1/8" - 18 male threaded compression driver for use at various indoor/outdoor events where crowds gather in large areas. Model CJ-46 offers positioning flexibility for horizontal, vertical or stacked clusters enhancing its usage as a sound system component at various outdoor activities including political rallies and sporting events. The wide-angle sound projector is also ideal for use with community warning systems and for installation in manufacturing facilities, warehouses, transportation terminals and recreational buildings.

GENERAL DESCRIPTION

The all-purpose Model CJ-46 wide-angle sound projector screw mounts to Atlas Sound PD and SD Series compression drivers to provide maximum audio penetration through adverse ambient sound levels and coverage over long distances. For versatile mounting applications, Model CJ-46 features a heavy-duty steel mounting bracket with positive lock for horizontal and vertical positioning in single or stacked multi-unit clusters. To meet application requirements, the prime sound dispersion axis may be changed from horizontal to vertical via a 90° bell rotation and four 1/4" screws. Model CJ-46 is a low silhouette reflex unit manufactured of non-resonant fiberglass with a spun aluminum re-entrant section. Weight is 14 1/2 lbs.



MODEL	DISPERSION	LOW FREQUENCY CUT OFF	AIR COLUMN LENGTH	SOUND LEVEL	BELL SIZE	HORN LENGTH
CJ-46	120° x 60°	115 Hz	4-1/2 ft.	*	22" x 12" (584 x 330mm)	17" (432mm)

* Sound pressure level chart on reverse side of this sheet.

Specifications subject to change without notice

ARCHITECT AND ENGINEER SPECIFICATIONS

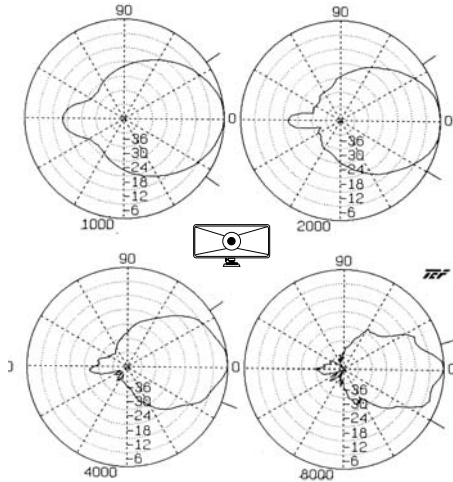
Sound projector shall be AVLELEC.COM _____ (Model CJ-46) or approved equal. The weatherproof exponential-flared reflex type unit shall have an air column length of 4½ ft. Low frequency cut-off shall be 115 Hz. Unit shall have a dispersion angle of 120° in the plane of narrower horn dimension and 60° in the wider dimension. It shall be supplied with coupler to accept 1½" - 18 threaded

compression driver. The mounting bracket shall be of steel with choice of prime directional sound distribution emphasis via rotation of the horn bell. Bell size shall be 22" W x 12" H x 17"D. Sound projector shall be constructed of non-resonant fiberglass with spun aluminum re-entrant section. Projector shall have a black finish and weigh 14½ lbs.

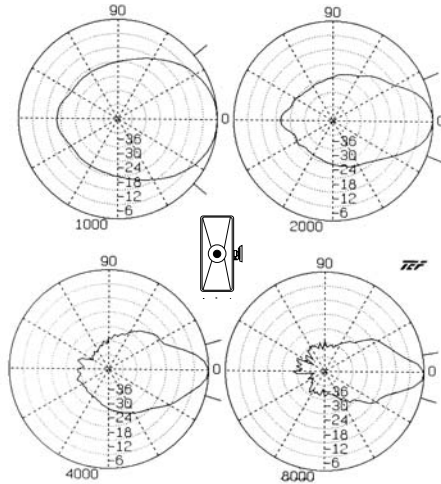
ACCESSORIES: SS-40X / SS-70X / SS-100X Variable Height Loudspeaker / Equipment Stands
SSA Series Adapters for SS-Series Loudspeaker / Equipment Stands

SOUND PRESSURE LEVELS OF MODEL CJ-46 WITH www.avlelec.com COMPRESSION DRIVERS				
MODEL PD-30T 125dB	MODEL PD-5VH 127dB	PD-5VT 128dB	MODEL PD-60A/PD-60TA 129dB	SD-70 131dB

Sound pressure level readings measured at 1 meter on axis of Model CJ-46 projector with integrated full power input.

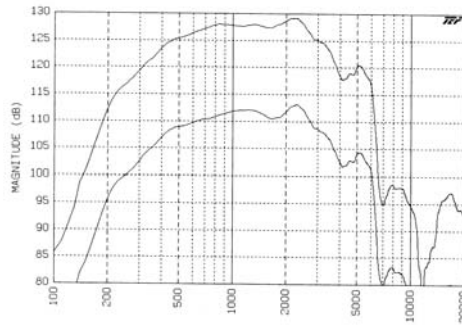


Horizontal Polars Are Normalized To Zero On Axis

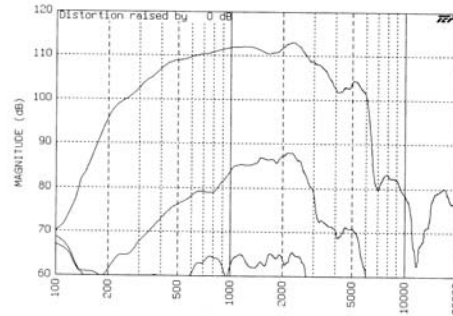


Vertical Polars Are Normalized To Zero On Axis

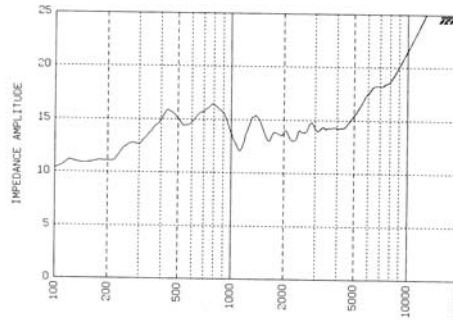
MODEL CJ-46 with PD60A				
Frequency	Q	Di	Beamwidth	
			Horizontal	Vertical
500	6	8	85	125
1000	12	11	70	80
2000	20	13	65	45
4000	33	15	55	30
8000	57	18	45	25



Frequency Response (Full Power)



Frequency Response (1W/1M)



Impedance

Specifications subject to change without notice

WWW.AVLELEC.COM
TELEPHONE: 303 670 1099 EXT 11 / FAX 303 679 8949 AVLELEC.COM

8641 SOUTH WARHAWK ROAD * CONIFER, COLORADO 80433