

AVLELEC

www.SoundmaskingInstallation.com

STICK-ON® SERIES Model ST-NG1 Random Noise Generator

ANYWHERE YOU NEED...

- True *Random* Noise Source
- Masking Noise Sources
- Pink Noise
- White Noise
- Mic and/or Line Level Noise Signals

You Need The ST-NG1!



The ST-NG1 is part of the group of versatile STICK-ON products from AVLELEC. STICK-ONS feature the advanced circuitry for which RDL products are known, combined with unequalled versatility in mounting possibilities. The durable adhesives provided with the ST-NG1 permit permanent or removable mounting. Numerous available mounting accessories, brackets and rack-mount chassis are optionally available to facilitate any system design.

APPLICATION: The ST-NG1 is the ideal choice where random white or pink noise is needed. It is suitable either as a reference noise source for audio measurements; or as a masking noise source in engineered sound or counter-intelligence applications, particularly where true *random noise* is required.

Amplitude limiting circuitry in the ST-NG1 controls extreme peak excursions while preserving random variations of at least 20 dB. The noise generating circuitry in the ST-NG1 is truly random analog noise occupying the full bandwidth from 20 Hz to 20 kHz. This makes the ST-NG1 ideal in masking environments where secure, random noise is required. Unlike the typical digitally-generated pseudo-random noise generators, which can be decoded and removed by effective intelligence equipment, the ST-NG1 produces no repetitive frequency or amplitude pattern.

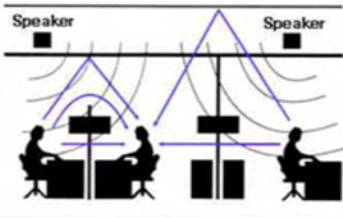
Four outputs are available on the ST-NG1. Both a mic-level and line-level output are provided from each noise source. A 25-turn gain-trimming potentiometer is provided for the white noise. A separate 25-turn gain-trimming potentiometer is provided to set the pink-noise level, independent of the white-noise setting. The gain trim for each noise source adjusts both the line and mic output for that source. Each output is balanced low-impedance, and may be wired either balanced or unbalanced. All outputs may be used simultaneously.

Wherever white or pink noise signals are needed, the ST-NG1 is the ideal choice. Use the ST-NG1 individually, or combine it with other AVLELEC RACK-UP®, STICK-ON®, TX™, or FLAT-PAK™ series products as part of a complete audio/video system.

AVLELEC
www.SoundmaskingInstallation.com

8641 S. Warhawk Rd. Conifer, CO 80433
(303) 569-6776 x101 (303) 679-8949 fax
Patrick.McAllister@AVLELEC.com





AVLELEC

www.SoundmaskingInstallation.com

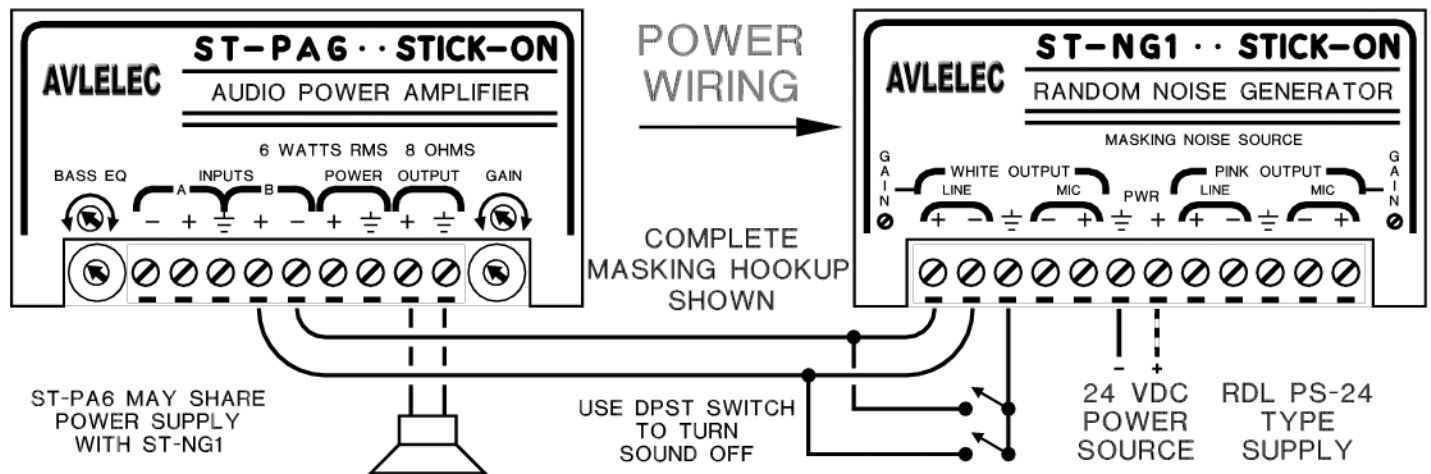
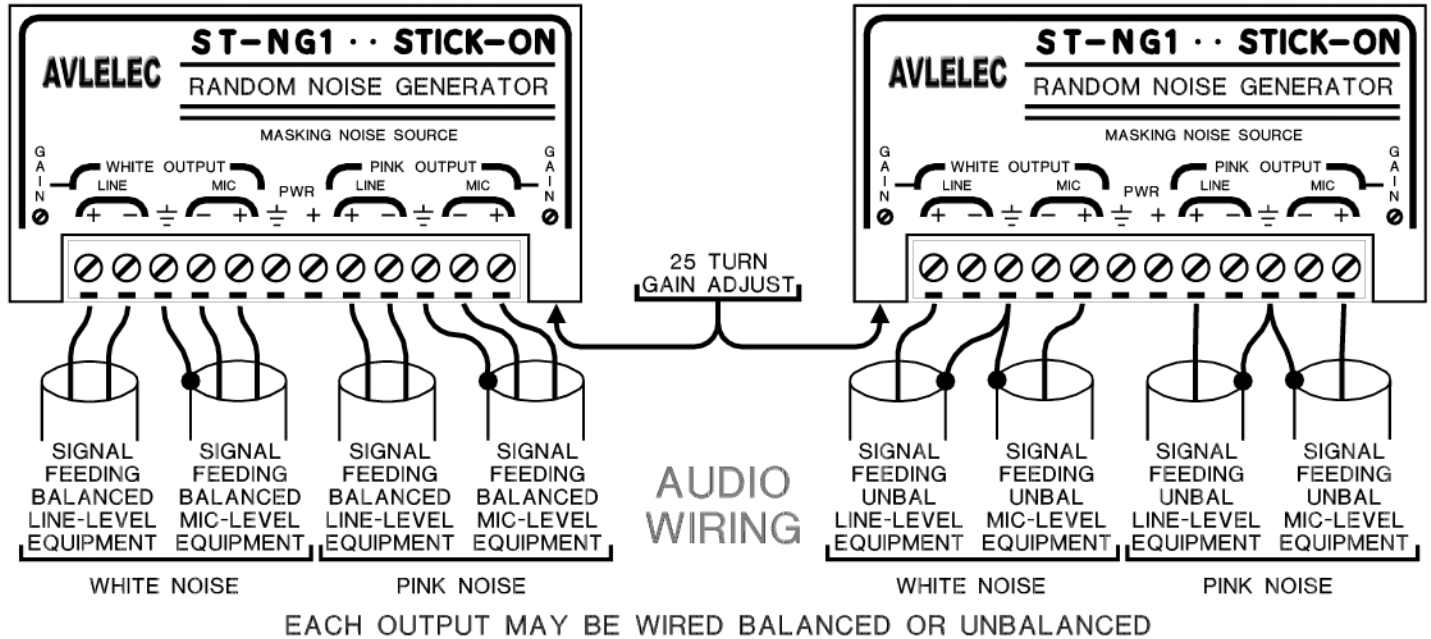
STICK-ON® SERIES

Model ST-NG1

Random Noise Generator

Installation/Operation

EN55103-1 E1-E5; EN55103-2 E1-E4
 Typical Performance reflects product at publication time
 exclusive of EMC data, if any, supplied with product.
 Specifications are subject to change without notice.



TYPICAL PERFORMANCE

Outputs (4):

White Noise (2):	
Line Level (1):	+4 dBu (nominal, balanced)
Mic Level (1):	-45 dBu (balanced)
Pink Noise (2):	
Line Level (1):	+4 dBu (nominal, balanced)
Mic Level (1):	-45 dBu (balanced)

Gain:

Line Level:	Off to +8 dBu (adjustable)
Mic Level:	Off to -40 dBu (adjustable)
Noise Passband:	20 Hz to 20 kHz
Spectral Distribution:	White and Pink Simultaneously
Power Requirement:	24 to 33 Vdc @ 30 mA
Dimensions:	Height: 1.55 in. 3.94 cm
	Width: 3.00 in. 7.62 cm
	Depth: 0.65 in. 1.65 cm