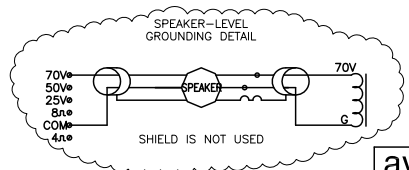
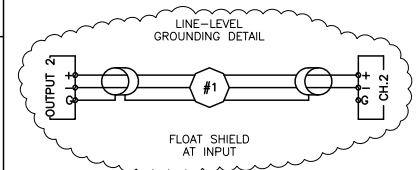
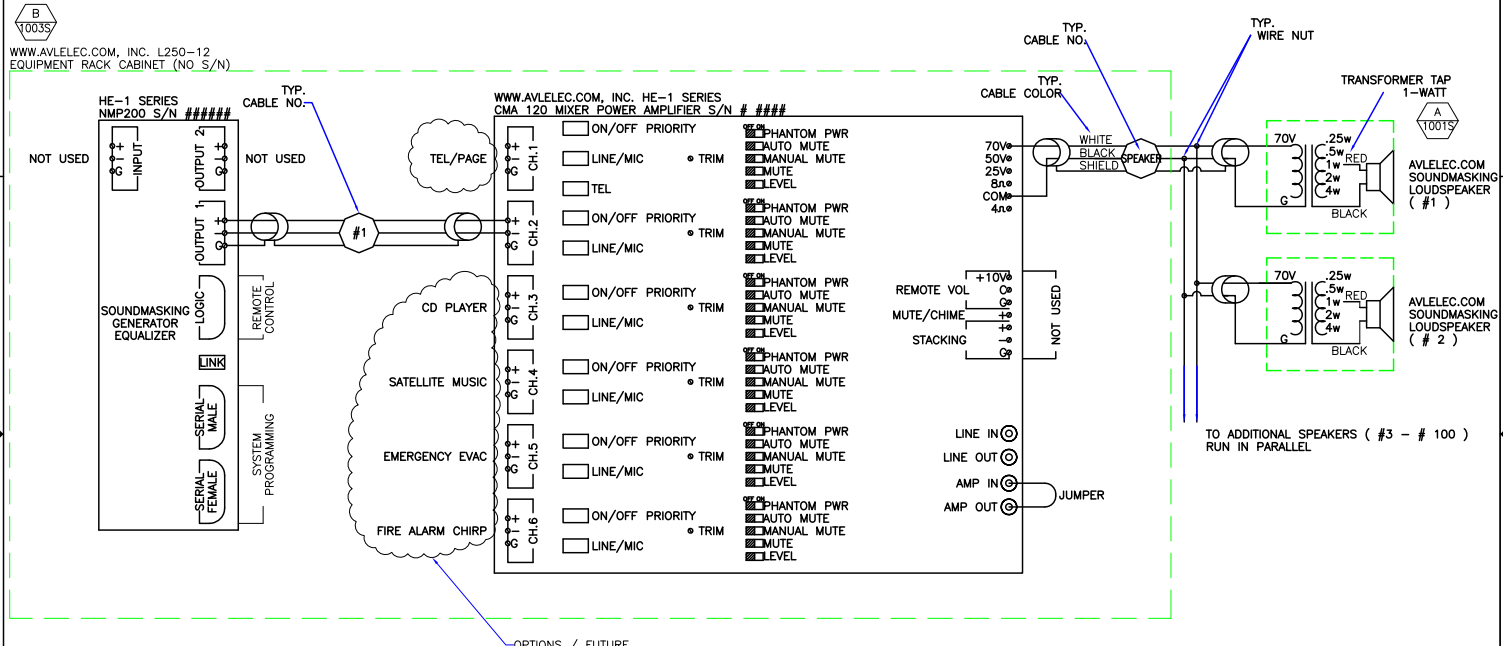


REVISIONS				
ZONE	REV	DESCRIPTION	DATE	APPROVED
NA	A	DESIGN FOR FABRICATION		APPROVED
NA	A	DESIGN FOR CONSTRUCTION		APPROVED



avlelec www.avlelec.com 8641 South Wanhawk Rd. Centrif, Colorado 80433 Tel: 877-AVLELEC Tel: 303-470-1000 EXT 11	SOUNDMASKING	
	HE-1 SOUNDMASKING	
CONTROL: 1001S	IDENTIFICATION: SCHEMATIC	SHEET: 1 OF 1