

Series SM801-SM804 8" and 4" Suspension Mounting Sound Masking Speaker Assemblies

Feature Details

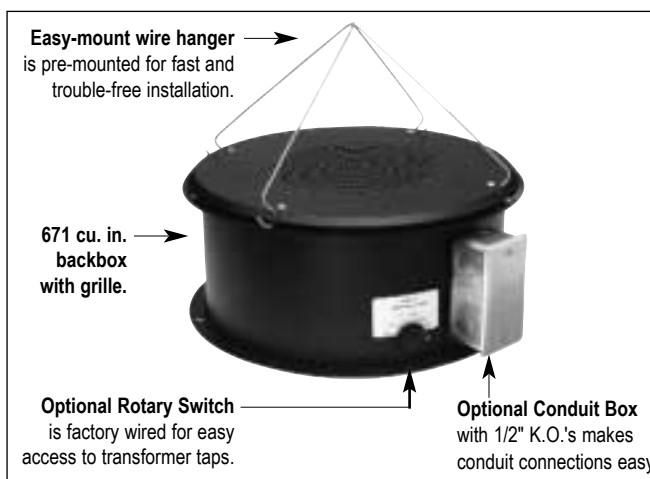
- Ships completely assembled and ready to install.
- Choice of 12W, 15W, or 20W 8" driver or 15W 4" driver.
- Drivers are factory mounted into a 671 cubic inch backbox with grille, externally accessible leads, pre-installed wire hangers, and separate 4' chain.
- Options include wired rotary switch and/or conduit box.

Description

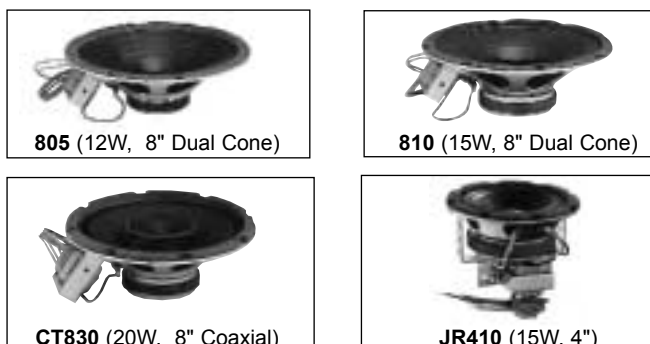
In general, the purpose of a sound masking system is to provide greater conversational privacy and productivity in an open-office environment by adding noise and shaping the signal to mask speech. The noise signal is fed from a noise generator with a built-in or separate amplifier to sound masking speakers that are positioned out-of-view above the ceiling tiles.

To meet a broad range of application requirements, Lowell manufactures a variety of sound masking speaker assemblies and noise generators. For additional information on masking speakers refer to Series SM801-SM804, SM805, SM810, and SMLT. For information on masking generators refer to Series SMG-1 noise generators or Series SMGA noise generator/amplifiers.

SM801-SM804 Series sound masking speakers are shipped completely assembled for suspended installation. Selection includes a choice of four speaker drivers with a factory wired 70V transformer mounted within a 671 cubic inch backbox with grille, pre-installed wire hangers, and separate 4' chain. Lowell's unique wire hangers allow for fast and trouble-free installation with easy positioning of the masking speaker for upward, downward, or horizontal sound dispersion. Each pre-mounted hanger is formed of rigid, plated wire for stable and kink-free single-point suspension from the structural deck using (continued on page 2)



SM80 Series Assemblies



Assemblies Include Choice of 4 Drivers

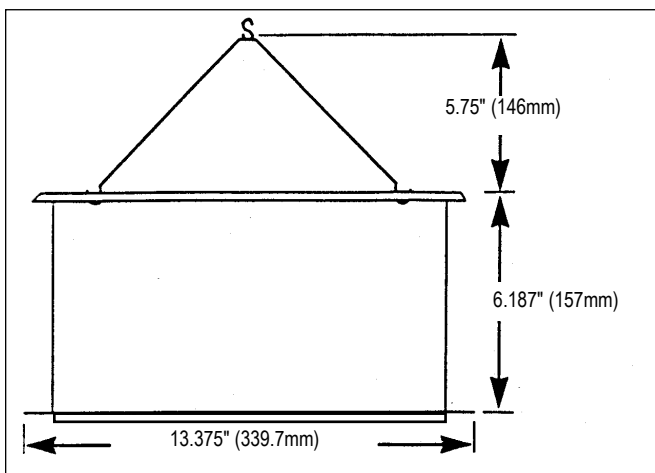
| Model | Driver Model | Driver Type | Power Rating | Transformer Taps | Backbox Volume | Dispersion Angle | Installed Options |
|--------------|--------------|----------------------|--------------|------------------------|----------------|---------------------|-----------------------------|
| SM801-70 | 805 | 8" Dual cone (5oz) | 12W | 70V: 4, 2, 1, .5, .25W | 671cuin | Up, down, or horiz. | --- |
| SM801-70RS | 805 | 8" Dual cone (5oz) | 12W | 70V: 4, 2, 1, .5, .25W | 671cuin | Up, down, or horiz. | Rotary switch |
| SM801-70BX | 805 | 8" Dual cone (5oz) | 12W | 70V: 4, 2, 1, .5, .25W | 671cuin | Up, down, or horiz. | Conduit Box |
| SM801-70RSBX | 805 | 8" Dual cone (5oz) | 12W | 70V: 4, 2, 1, .5, .25W | 671cuin | Up, down, or horiz. | Rotary Switch & Conduit Box |
| SM802-70 | 810 | 8" Dual cone (10oz) | 15W | 70V: 4, 2, 1, .5, .25W | 671cuin | Up, down, or horiz. | --- |
| SM802-70RS | 810 | 8" Dual cone (10oz) | 15W | 70V: 4, 2, 1, .5, .25W | 671cuin | Up, down, or horiz. | Rotary switch |
| SM802-70BX | 810 | 8" Dual cone (10oz) | 15W | 70V: 4, 2, 1, .5, .25W | 671cuin | Up, down, or horiz. | Conduit Box |
| SM802-70RSBX | 810 | 8" Dual cone (10oz) | 15W | 70V: 4, 2, 1, .5, .25W | 671cuin | Up, down, or horiz. | Rotary Switch & Conduit Box |
| SM803-70 | CT830 | 8" Coaxial (10oz LF) | 20W | 70V: 4, 2, 1, .5, .25W | 671cuin | Up, down, or horiz. | --- |
| SM803-70RS | CT830 | 8" Coaxial (10oz LF) | 20W | 70V: 4, 2, 1, .5, .25W | 671cuin | Up, down, or horiz. | Rotary switch |
| SM803-70BX | CT830 | 8" Coaxial (10oz LF) | 20W | 70V: 4, 2, 1, .5, .25W | 671cuin | Up, down, or horiz. | Conduit Box |
| SM803-70RSBX | CT830 | 8" Coaxial (10oz LF) | 20W | 70V: 4, 2, 1, .5, .25W | 671cuin | Up, down, or horiz. | Rotary Switch & Conduit Box |
| SM804-70 | JR410 | 4" High comp. (10oz) | 15W | 70V: 4, 2, 1, .5, .25W | 671cuin | Up, down, or horiz. | --- |
| SM804-70RS | JR410 | 4" High comp. (10oz) | 15W | 70V: 4, 2, 1, .5, .25W | 671cuin | Up, down, or horiz. | Rotary switch |
| SM804-70BX | JR410 | 4" High comp. (10oz) | 15W | 70V: 4, 2, 1, .5, .25W | 671cuin | Up, down, or horiz. | Conduit Box |
| SM804-70RSBX | JR410 | 4" High comp. (10oz) | 15W | 70V: 4, 2, 1, .5, .25W | 671cuin | Up, down, or horiz. | Rotary Switch & Conduit Box |

Description (continued)

the "S" hook and 4' chain provided. The wire hangers are factory mounted for upward dispersion and may be easily moved in to mounting holes provided for downward or horizontal sound projection to meet application requirements.

Installer-friendly system also features externally accessible speaker leads that are color coded and exit the enclosure through a strain relief clamp. Additionally, each assembly is offered with one or both of the following options factory installed: **RS** - an externally accessible, six position rotary switch and knob providing a convenient method of changing transformer taps as system needs expand and/or change, or **BX** - an electrical box with cover and knockouts for 1/2" conduit for use in plenum areas where code requires conduit connections. Backbox and grille are finished in black powder epoxy.

Companion noise generators and generator/amplifiers for sound masking are also available from Lowell. For detailed information, please download the specification sheets on Series SMG-1 generators and SMGA Series Generator/amplifiers from the speaker section of the Lowell website.



SM80 Series Dimensions

A & E Specifications

The sound masking speaker assembly for suspended applications shall be Lowell Series SM80 Model _____. The assembly shall include a speaker driver with factory wired transformer mounted within a 671 cu.in. backbox with grille, externally accessible speaker leads, attached wire hanger and 4' chain.

The assembly driver shall be a _____ (8" dual cone, 8" coaxial, 4" high compliance) with a power rating of _____ (12W, 15W, 20W). The wired transformer shall be 70V with primary taps at 4, 2, 1, .5, and .25 watts. Speaker leads shall exit the backbox through a strain relief clamp.

The backbox shall be welded 22 gauge steel with undercoating to eliminate acoustic and metallic resonance. Additionally, the backbox shall be lined with 1-1/2" thick fiberglass with a 1-1/2 lb. per cu. ft. density to further eliminate internal reflections. To seal the assembly and protect the driver from dust and foreign matter there shall be a cover gasket of reticulated polyurethane with an approximate opening of 60 percent between the driver and the grille.

Suspension mounting shall be easily accomplished by connecting the provided "S" hook and 4' chain to the pre-installed wire hangers. Wire hangers shall be factory mounted for upward sound dispersion and may be easily re-mounted for downward or horizontal dispersion using holes provided.

Options:

Rotary Switch: Assembly shall include a factory mounted, six position rotary switch with a knob on the outside of the backbox for selection of transformer taps.

Conduit Box: Assembly shall include a factory mounted single-gang conduit box with cover and knockouts for 1/2" conduit.