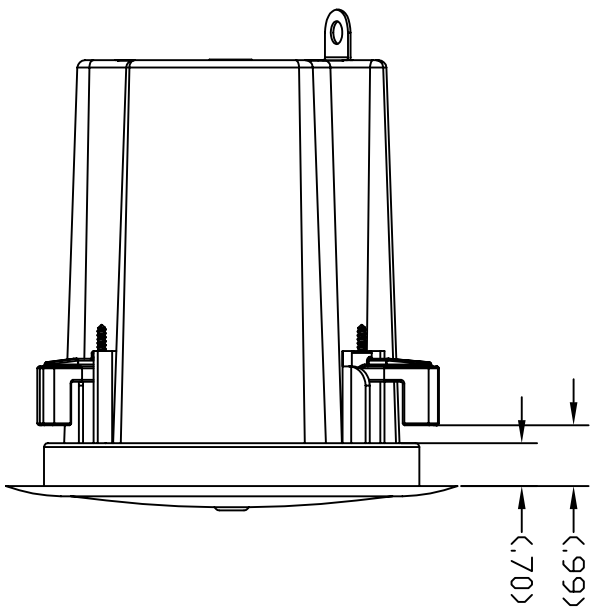
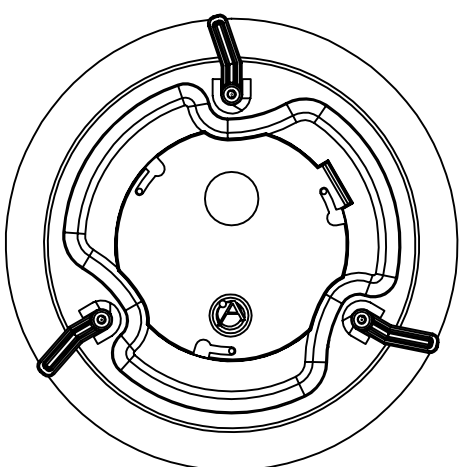


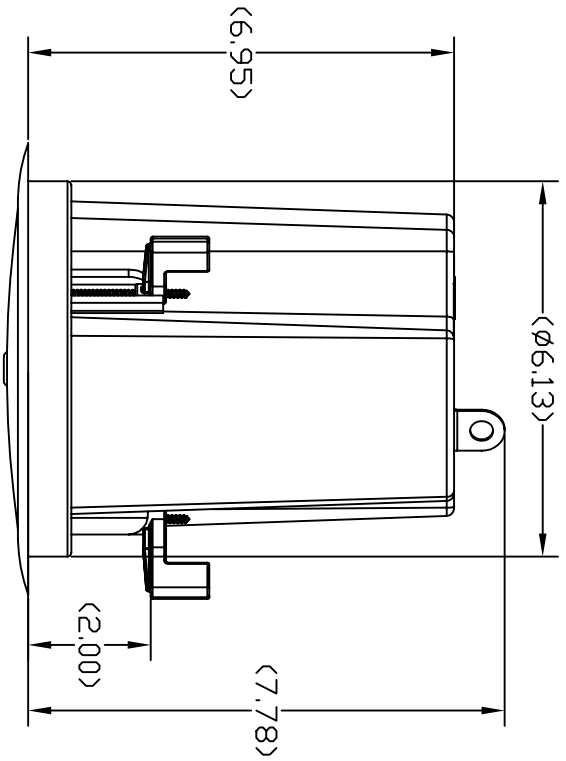
FRONT VIEW



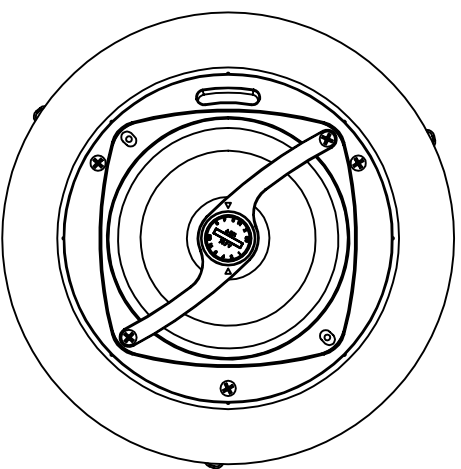
SIDE VIEW



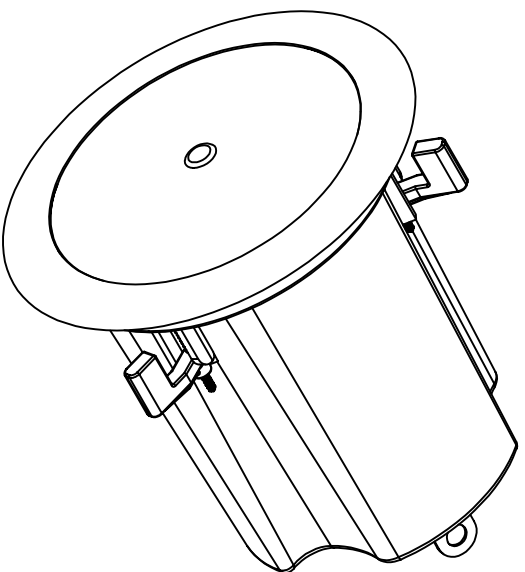
BACK VIEW



TOP VIEW  
DOG LEGS REVERSED  
FOR ADDED CLEARANCE



FRONT VIEW  
GRILLE REMOVED FOR CLARITY



ISOMETRIC VIEW

MODEL	SPEAKER	SENSIVITY	TRANSFORMER	TRANSFORMER TAPS	SYS. FREQ. RESP.	CUT-OUT DIMENSION
FAP40T	4" DRV.	88dB AVG	16 WATT @ 70.7V/10.0V	1,2,4,8 & 16 WATTS / 8 OHMS	10.0 HZ TO 15 KHZ	6.3" (16.0mm)

REVISIONS	BY
00/00/00	CJC

# avlelec

8641 South Warhawk Rd. Conifer, Colorado 80433  
[www.avlelec.com](http://www.avlelec.com)  
 Patrick McAllister Tel: 303-670-1099

EQUIPMENT DETAIL	
FAP40T CEILING SPEAKER SYSTEM	
DWG #	FAP40T_CEILING_SPEAKER
DATE	1 / 11 / 11
CHK'D	-----
SCALE =	N/A
SHEET	1 OF 1